



FENGFENG
PIPE

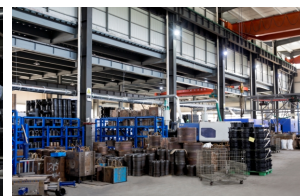
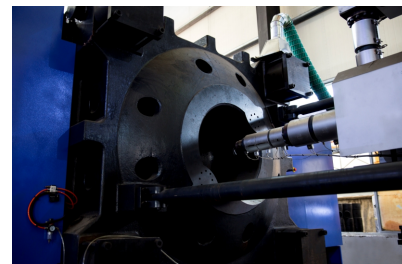
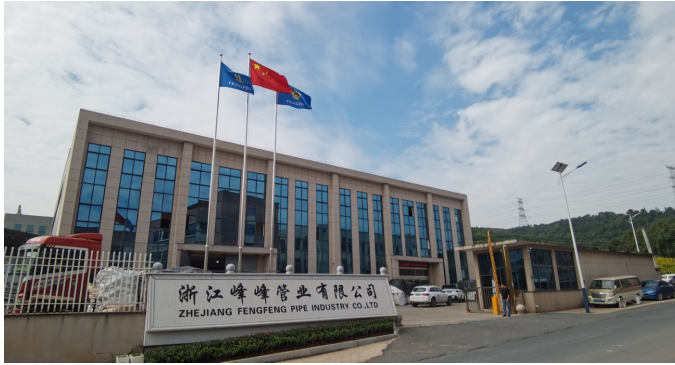
产品目录册

PRODUCTS
BROCHURE

FENGFENG PIPE



ZHEJIANG FENGFENG PIPE
INDUSTRY CO., LTD



COMPANY STRENGTH

Zhejiang Fengfeng Pipe Industry Co., Ltd. is currently equipped with more than 30 injection molding machines with clamping force ranging from 400KN to 2800KN, injection volume from 100cm³ to 200000 cm³. The company adopts single screw injection plastic machines and single screw injection molding machines have high production efficiency, energy saving and relatively high utilization rate. Same injection molding measuring machine. The production efficiency of single screw injection molding machine is 15% higher than that of extrusion twin screw injection molding machine. During the injection molding cycle, among them, the energy consumption of injection and pre-molding is the highest, among which injection and pre-molding account for about 70% of the total energy consumption, with short time consumption. Low.

Single screw injection molding machine has high injection rate, high injection pressure and high finished product density, except for HDPE production. In addition to hot-melt electric melting pipe fittings, other products can also be processed, and the machine utilization rate is relatively high. Squeeze type. Dead materials will be produced due to the twin screw conversion structure, and the product strength will be affected to some extent when the mold is injected. Also, due to the structure, if you want to change the color, it will waste raw materials and time.



01.热熔系列 BUTT FUSION FITTING SERIES



02.电熔系列 ELECTROFUSION FITTING SERIES



03.承插系列 SOCKET FUSION FITTING SERIES



04.带丝系列 MALE / FEMALE THREAD SERIES



05.排水虹吸管件系列 SIPHON DRAINAGE FITTINGS



06.链接件 TRANSITION FITTINGS



07.抢修节 REPAIR CLAMP

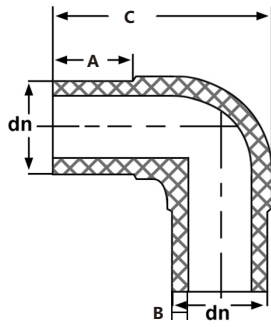


08.阀门 VALVE SERIES



09.工具 MACHINE & TOOLS



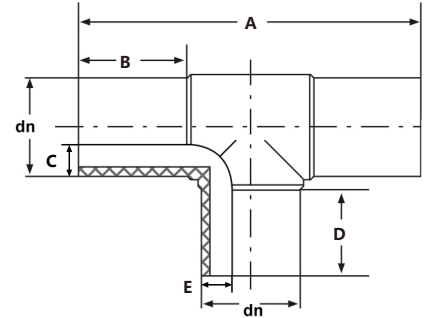


等径弯头 Equal Elbow

规格 dn SPECIFICATION (dn)	尺寸 Size(mm)			壁厚 Thickness		
	A	B	C	SDR17	SDR13.6	SDR11
63	59	6	123			√
75	59	7	137			√
90	64	8	159			√
110	66	10	182		√	√
125	68	11.8	199		√	√
140	70	13	217		√	√
160	70	15	236		√	√
180	74	16.7	259		√	√
200	75	18.6	278	√	√	√
225	79	20.3	310	√	√	√
250	87	22.8	340	√	√	√
315	95	28.7	410	√	√	√
355	108	33	463	√		√
400	105	37		√		√
500	104	45.5	595	√		√

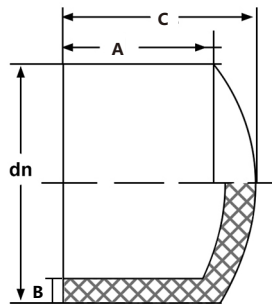
注塑管帽 End Cap

规格 dn SPECIFICATION (dn)	尺寸 Size(mm)			壁厚 Thickness		
	A	B	C	SDR17	SDR13.6	SDR11
180	72	16.8			√	√
200	75	18.5		√	√	√
225	73	20.7			√	√
250	84	23.4			√	√
280	83	26			√	√
315					√	
355	87	33			√	√
400	89	27		√		√
450	89	26	96.5	√		
500	90	45.5		√		√
630	98	58.5		√		√



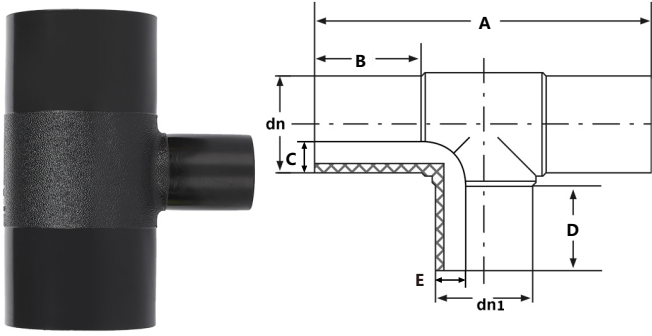
正三通 Equal Tee

规格 dn SPECIFICATION (dn)	尺寸 Size(mm)					壁厚 Thickness		
	A	B	C	D	E	SDR17	SDR13.6	SDR11
63	186	59	6					√
75	205	59	7					√
90	235	64	8.2					√
110	254	66	10				√	√
125	277	67	12				√	√
140	295	69	13				√	√
160	318	70	15				√	√
180	346	74	17				√	√
200	367	75	18.4			√	√	√
225	400	79	21			√	√	√
250	443	87	23.3			√	√	√
280	478	90	26			√	√	√
315	522	95	29.2			√	√	√
355	588	106	33				√	√
400	624	103	37.4			√		√
450	652	96				√		√
500						√		
630								



注塑管帽 End Cap

规格 dn SPECIFICATION (dn)	尺寸 Size(mm)			壁厚 Thickness		
	A	B	C	SDR17	SDR13.6	SDR11
75	57	7				√
90	62	8.3				√
110	62	10.4			√	√
125	63	12.3			√	√
140	66	13.3			√	√
160	70	15			√	√

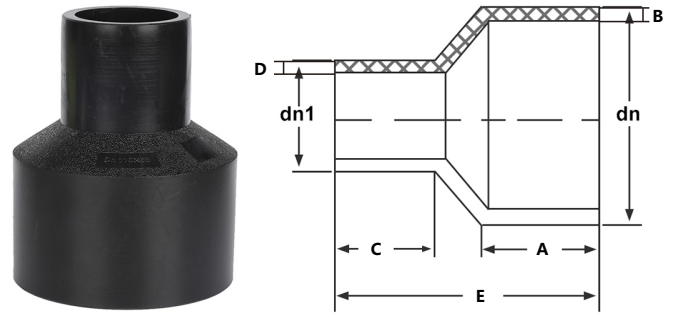
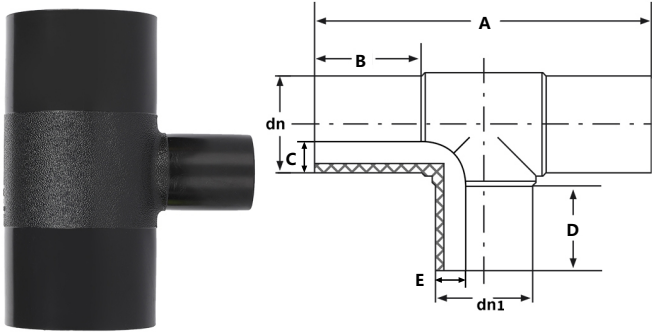


异径三通 Reducing Tee

规格 dn-dn1 SPECIFICATION (dn-dn1)	尺寸 Size(mm)					壁厚 Thickness		
	A	B	C	D	E	SDR17	SDR13.6	SDR11
180x75	254	73	16.5	73	7.5		√	√
180x90	251	73	16.5	73	8.7		√	√
180x110	274	74	17	73.5	10.5		√	√
180x125	345	73	16.8	73	11.8		√	√
180x140	344	73	16.8	72	13		√	√
180x160	345	73	17	73	15		√	√
200x50	227	75	18.3	75	6.4	√	√	√
200x63	227	75	18.3	74	6.4	√	√	√
200x75	241	75	18.3	74	7	√	√	√
200x90	255	75	18.3	74	8.5	√	√	√
200x110	274	76	18.3	73	10.4	√	√	√
200x125	327.5	75	18.5	73	12		√	√
200x140	327	75	18.7	73	13		√	√
200x160	328	75	18.4	73	15	√	√	√
200x180							√	
225x63	268	81	21	78	6.8	√	√	√
225x75	267	80	21	79	7.5	√	√	√
225x90	269	80	21	78	9	√	√	√
225x110	286	79	21	78	10.5	√	√	√
225x125	337	80	21	78	12		√	√
225x140	338	80	21	78	13.8		√	√
225x160	338	81	21	77	15		√	√
225x200	400	79	21	80	18.8		√	√
250x75	302	87	23.5	81	7.7	√	√	√
250x90	302	86	23.3	82	8.5	√	√	√
250x110	302	87	23	80	10.2	√	√	√
250x125	353	87	23.4	81	11.8	√	√	√
250x160	353	88	23.3	81	15.2	√	√	√
250x180	392	88	23.2	79	17	√	√	√
250x200	392	88	23.2	81	18.8	√	√	√
250x225	443	88	23.6	87	21.4	√	√	√
280x110	288	87	26	69	10.3		√	√
280x160	337	87	25.8	69	15		√	√
280x200	474	90	26	89	18.6		√	√
280x225	478	91	26.1	90	21.1		√	√
280x250	478	90	26.2	89	23.4		√	√
315x50								
315x63	318	94	24	71	7.5	√		√
315x75	317	94	24	74	7	√		√
315x90	317	95	29.4	83	8.5	√		√
315x110	317	93	29.3	83	10.7	√	√	√
315x125	370	95	29.5	86	12		√	√

异径三通 Reducing Tee

规格 dn-dn1 SPECIFICATION (dn-dn1)	尺寸 Size(mm)					壁厚 Thickness		
	A	B	C	D	E	SDR17	SDR13.6	SDR11
75x32	167	57	7	59	4			√
75x40	167	58	7	56	4.2			√
75x50	167	57	6.6	59.5	5			√
75x63	193	59	6.6	57.5	6			√
90x40	205	64.5	8	62	5			√
90x50	204.5	63	8	62	5.5			√
90x63	204	62	8	61	6			√
90x75	221	62.5	8	60.5	7			√
110x40	210	66	10	66	5		√	√
110x50	210	65	10	65	5.5		√	√
110x63	210	66	10	65	6		√	√
110x75	220	66	10	65	7		√	√
110x90	233	66	10	65	8.5		√	√
125x50	213	67	11.6	65	6.4		√	√
125x63	213	67	11.6	65	6		√	√
125x75	243	68	12	65.6	7.3		√	√
125x90	243	67	12	67	8.5		√	√
125x110	262	67	12	67	10		√	√
140x50	218	69	13	69	5.5		√	√
140x63	218	69	13	69	6.3		√	√
140x75	233	69	13	69	7		√	√
140x90	246	69	13	69	8.7		√	√
140x110	265	69	13	68	10.3		√	√
140x125	281	69	13	68	12		√	√
160x50	219	70	14.7	70	6		√	√
160x63	217	70	14.8	70	6.4		√	√
160x75	226	70	15.6	70	7.2		√	√
160x90	241.5	70	15	70	8.6		√	√
160x110	252	70	15	70	10.3		√	√
160x125	311.5	70	15	70	13		√	√
160x140	312	70	15	70	13		√	√
180x63	254	73	16.6	73	6.6		√	√

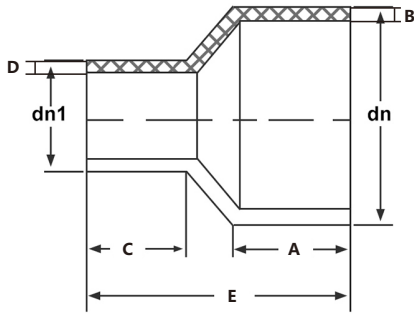


异径三通 Reducing Tee

规格 dn-dn1 SPECIFICATION (dn-dn1)	尺寸 Size(mm)					壁厚 Thickness		
	A	B	C	D	E	SDR17	SDR13.6	SDR11
315x160	369	95	29.5	84	15	√	√	√
315x180	407	96	29.5	83	17		√	√
315x200	405	94	29.3	83	18.6	√	√	√
315x250	428	110	28.5	78	23	√		√
315x280	522	95	29.6	89	26		√	√
355x110	424	103	33.5	77	10.5		√	√
355x160	426	103	33	76	15		√	√
355x200	425	102	33	76	19		√	√
355x250	588	108	33	107	23.2		√	√
355x280							√	√
355x315	578	107	32.5	106	29.2		√	√
400x110	440	105	37.2	84	10.2	√		√
400x160	440	105	37.2	84	15.4	√		√
400x200	440	104	37.4	84	18.7	√		√
400x250	473	105	37.1	89	23.3	√		√
400x315	540	105	37.3	96	29.2	√		√
450x110	314	98	41	77	10.2	√		√
450x160	362	98	40.3	77	15	√		√
450x200	410	102	40.7	79	19	√		√
450x250	454	100	41.7	86	23.4	√		√
450x315	516	100	41	90	29.5	√		√
450x400	603	98	40.9	95	37.2	√		√
500x110	334	105	46.2	94	10.4	√		√
500x160	434	105	46.2	96	15	√		√
500x200	432	104	46	95	18.6	√		√
500x250	535	105	46.3	104	24.3	√		√
500x315	533	104	46.5	103	29.2	√		√
500x400	623	105	46.2	104	37	√		√

异径直接 Reducer

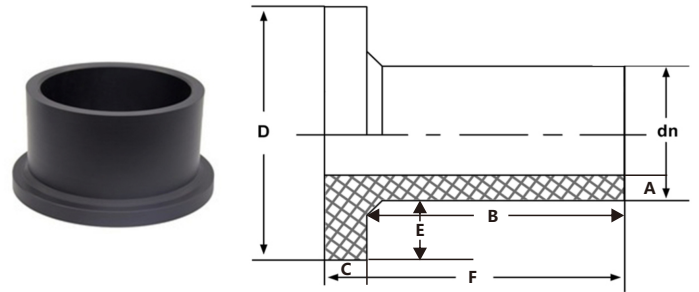
规格 dn-dn1 SPECIFICATION (dn-dn1)	尺寸 Size(mm)					壁厚 Thickness		
	A	B	C	D	E	SDR17	SDR13.6	SDR11
75x40	58	7	56	5	128			√
75x50	57	7	57	4.8	128			√
75x63	59	7	59	6	126			√
90x40	61	8.3	54	5	133			√
90x50	61	8.3	57	5.5	133			√
90x63	60	8.4	60	6	134			√
90x75	61	8.3	63	7	132			√
110x40	63	10.3	57	5	143			√
110x50	62	10.1	59	6	143			√
110x63	63	10.5	62	5.8	144			√
110x75	63.5	10.1	64	7	143		√	√
110x90	64	10.2	64	8.6	137		√	√
125x50	63	11.4	59	6	142		√	√
125x63	63	12.1	64	6	145		√	√
125x75	64	11.5	66	7	145		√	√
125x90	63	11.6	66	8.5	138		√	√
125x110	64	12	68	10.6	140		√	√
140x63	66	12.9	60	6.3	157		√	√
140x75	65	13	65	7.2	155		√	√
140x90	67	13.2	67	8.3	153		√	√
140x110	66	13	68	10.2	149		√	√
140x125	66	13.1	67	11.6	142		√	√
160x63	67	14.7	62	6.2	161		√	√
160x75	68	15	62	8	158		√	√
160x90	70	15	65	8.7	156		√	√
160x110	70	15	67	10.2	154		√	√
160x125	70	14.8	67	11.6	150		√	√
160x140	70	14.9	69	13	149		√	√
180x63	72	17	63	7	171		√	√
180x75	72	17	66	7.4	171		√	√
180x90	72	17	67	8.6	171		√	√
180x110	72	16.8	62	10.1	159		√	√
180x125	72	17	68	11.6	159		√	√
180x140	72	16.8	68	13	157		√	√
180x160	72	16.8	70	15	151		√	√



355x250	86	33	79	23	176		√	√
355x315	86	33	83	28.6	175		√	√
400x110	88	37.3	75	10.2	196	√		√
400x160	88	37.3	76	15	190	√		√
400x200	88	37.2	77	18.2	186	√		√
400x250	89	37.2	86	23.6	191	√		√
400x315	88	37	88	29	187	√		√
500x160	90	45.6	72	15	199	√		√
500x200	90	45.3	71	18.5	195	√		√
500x250	90	45.4	83	23.1	197	√		√
500x315	90	45.4	85	28.5	194	√		√
500x400	91	45.6	87	37.3	184	√		√
500x450	90	45.5	88	41.3	185	√		√
630x315	98	58.3	91	28	214	√		√
630x400	98	59	95	36	213	√		√
630x500	98	59	95	44.4	199	√		√
630x560	98	59	95	50.5	198	√		√

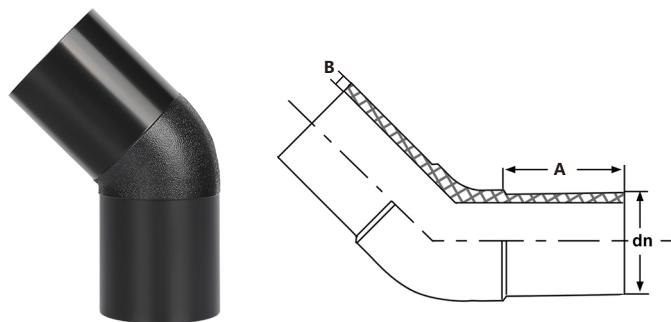
异径直接 Reducer

规格 dn-dn1 SPECIFICATION (dn-dn1)	尺寸 Size(mm)					壁厚 Thickness		
	A	B	C	D	E	SDR17	SDR13.6	SDR11
200x63	72	18.6	62	6.3	175		√	√
200x75	72	18.7	62	7.3	172		√	√
200x90	75	18.6	67	8.7	178		√	√
200x110	75	18.5	66	10.3	173		√	√
200x125	75	18.6	67	12	167		√	√
200x140	75	18.6	68	13	162		√	√
200x160	76	18.5	69	15	159		√	√
200x180	75	18.3	74	17	166		√	√
225x63	72	21.2	64	6.5	179		√	√
225x75	73	21.2	66	7.7	179		√	√
225x90	73	20.7	68	8.7	175		√	√
225x110	73	21.0	68	10.4	173		√	√
225x125	73	21.0	68	12	172		√	√
225x140	73	20.8	67	13.3	165		√	√
225x160	73	21.0	70	15	165	√		√
225x180	73	21.0	72	17	165	√		√
225x200	73	21.0	75	18.6	167	√		√
250x110	83	23.0	72	10.4	190	√	√	√
250x125							√	
250x140							√	
250x160	84	23.4	78	15	185	√	√	√
250x180							√	
250x200	83	23.2	83	18.5	179	√	√	√
250x225	84	23.4	87	20.8	180		√	√
280x110	83	26.0	64	10.2	170		√	√
280x125							√	√
280x140							√	√
280x160	82	26.0	63	15	161		√	√
280x200	83	26.0	66	18.2	164		√	√
280x250	82	26.0	79	22.8	169		√	√
315x110	92	29.0	72	10.2	202	√	√	√
315x160	92	29.4	80	15	201	√	√	√
315x200	92	29.3	82	18.7	199	√	√	√
315x225							√	√
315x250	92	29.0	88	23	193	√	√	√
355x110	86	33.0	66	10.2	181		√	√
355x160	86	33.0	64	15	172		√	√
355x200	87	33.0	69	18.2	167		√	√



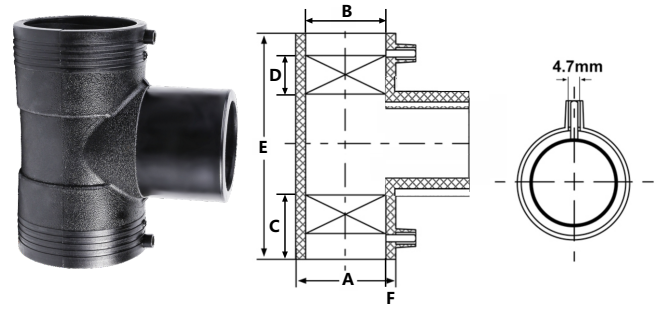
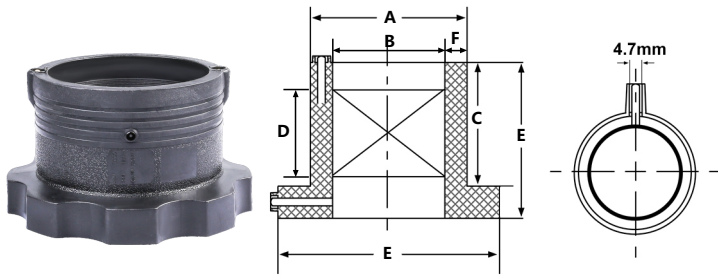
注塑法兰头 Stub End

规格 dn SPECIFICATION (dn)	尺寸 Size(mm)						壁厚 Thickness		
	A	B	C	D	E	F	SDR17	SDR13.6	SDR11
50	4.4	66	9.3	76	12.6	75			√
60	5.7	71	11	87	11	81			√
75	6.8	71	11.6	103	14	82			√
90	8.3	72	12.2	122	14.6	84			√
110	10.3	86	16	146	17	102		√	√
125	11.5	87	16.1	157	15	103		√	√
140	13	90	17.5	176	17.5	107		√	√
160	14.6	91	21	200	18.5	112		√	√
180	16.7	95	20.5	222	20	115		√	√
200	18.2	102	24	249	23	127	√	√	√
225	21.3	107	24.2	273	21.5	133	√	√	√
250	23.4	120	27.6	298	22	151	√	√	√
280	26	112	30	328	21	141	√	√	√
315	30	115	31	367	24.3	146	√	√	√
355	33	117	32.6	410	27	151	√	√	√
400	37	146	37	473	35	186	√	√	√
450	42	127	39	520	37	170	√	√	√
500	47	136	46	570	33	181	√	√	√
560	52	137	48	613	30	186	√		√
630	58	143	47.3	690	31	191	√	√	√
710							√		
800							√		



等径45度弯头 45° Elbow

规格 dn SPECIFICATION (dn)	尺寸 Size(mm)		壁厚 Thickness		
	A	B	SDR17	SDR13.6	SDR11
63	56	5.6			√
75	59	7			√
90	63	8			√
110	66	10			√
125	67	11.3		√	√
140	69	12.8		√	√
160	70	15		√	√
180	64	16		√	√
200	75	18.5		√	√
225	76	20.5	√	√	√
250	80	23.5	√	√	√
280	82	26		√	√
315	82	29.2	√	√	√
355	102	33		√	√
400	104	37.4	√		√
450	95	42	√		√
500	104	46	√		√
630					



法兰 Stub End

SDR11

规格 SPECIFICATION	尺寸 SIZE(mm)					
	A	B	C	D	E	F
50	59	50	72	50	80	4.6
63	74.4	63	72	50	80	5.7
75	86.6	75	72	50	80	6.8
90	106.2	90	80	50	85	8.1
110	130	110	93	63	98	10
125	147	125	102	107	112	11.3
160	189	160	115	65	122	14.5
200	236	200	115	65	123	16.18
225	266	225	115	71	123	20.5
250	295	250	135	70	145	22.7
315	358	315	143	96	155	21.5

三通 Tee

SDR11

规格 SPECIFICATION	尺寸 SIZE(mm)					
	A	B	C	D	E	F
50	59	50	50	25	142	4.5
63	74.4	63	50	27	162	5.7
75	86.6	75	58	29	180	6.8
90	106	90	64	32	205	8.1
110	130	110	72	35	235	10
125	147	125	70	37	255	11.36
160	189	160	77	47	295	14.5
200	236	200	100	50	360	18.1
225	266	225	100	55	370	20.4
250	298	250	110	51	430	22.7
315	372	315	135	67	535	28.6

法兰 Stub End

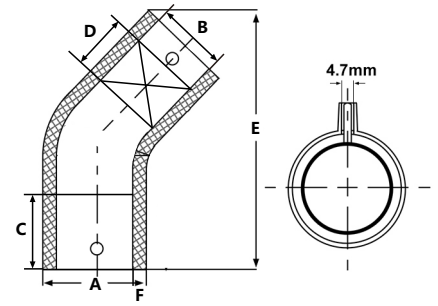
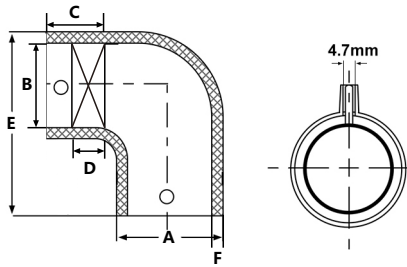
SDR17

规格 SPECIFICATION	尺寸 SIZE(mm)					
	A	B	C	D	E	F
355	396	355	143	96	155	20.8
400	447	400	143	96	155	23.5
500	550	500	170	120	190	25
630	682	630	193	120	203	26
710	775	710	230	130	245	32.5
800	875	800	235	148	260	37.5
1000	1094	1000	330	180	350	45

三通 Tee

SDR17

规格 SPECIFICATION	尺寸 SIZE(mm)					
	A	B	C	D	E	F
315	352	315	120	60	495	18.5
400	477	400	150	75	630	23.5
500	558	500	150	90	725	29



90°弯头 90°Elbow

SDR11

规格 SPECIFICATION	尺寸 SIZE(mm)					
	A	B	C	D	E	F
50	59	50	50	27		4.5
63	74.4	63	53	27		5.7
75	86.6	75	60	29		6.8
90	106	90	67	32		8.1
110	130	110	73	35		10
125	147	125	74	40		11.3
160	189	160	87	47		14.5
200	236	200	93	50		22.7
225	266	225	105	50		20.5
250	295	250	105	51		22.7
315	372	315	140	67		28.6

45°弯头 45°Elbow

SDR11

规格 SPECIFICATION	尺寸 SIZE(mm)					
	A	B	C	D	E	F
50	59	50	50	25		4.5
63	74.4	60	50	27		5.7
75	86.6	75	58	29		6.8
90	106	90	64	32		8.1
110	130	110	70	35		10
160	189	160	84	47		14.5
200	236	200	90	50		18.1
250	295	250	105	51		22.7
315	372	315	135	67		28.6

90°弯头 90°Elbow

SDR17

规格 SPECIFICATION	尺寸 SIZE(mm)					
	A	B	C	D	E	F
315	352	315	120	60		18.5
400	447	400	145	75		23.5
500	558	500	150	90		29
630	690	630	190	110		30

45°弯头 45°Elbow

SDR17

规格 SPECIFICATION	尺寸 SIZE(mm)					
	A	B	C	D	E	F
400	447	400	145	75		23.5

等径直接 Equal Coupler

规格: SPECIFICATION



20	75
25	90
32	110
40	
50	
63	

等径三通 Equal Tee

规格: SPECIFICATION



20	75
25	90
32	110
40	
50	
63	

变径直接 Reducing Coupler

规格: SPECIFICATION



25x20	75x40
32x20	75x50
32x25	75x63
40x20	90x25
40x25	90x32
40x32	90x40
50x20	90x50
50x25	90x63
50x32	90x75
50x40	110x32
63x20	110x40
63x25	110x50
63x32	110x63
63x40	110x75
63x50	110x90
75x20	
75x25	
75x32	

变径三通 Reducing Tee

规格: SPECIFICATION



25x20	75x40
32x20	75x50
32x25	75x63
40x20	90x25
40x25	90x32
40x32	90x40
50x20	90x50
50x25	90x63
50x32	90x75
50x40	110x32
63x20	110x40
63x25	110x50
63x32	110x63
63x40	110x75
63x50	110x90
75x20	
75x25	
75x32	

90°弯头 90°Elbow

规格: SPECIFICATION



20	75
25	90
32	110
40	
50	
63	

45°弯头 45°Elbow

规格: SPECIFICATION



20	75
25	90
32	110
40	
50	
63	

管帽 End Cap

规格: SPECIFICATION




20	75
25	90
32	110
40	
50	
63	

法兰 Flange

规格: SPECIFICATION



20	75
25	90
32	110
40	160
50	
63	

电熔套筒 Electrofusion Coupler		规格: SPECIFICATION	
	50	200	
	56	250	
	63	315	
	75		
	90		
	110		
	125		
	160		

电熔顺水三通 Electrofusion Tee		规格: SPECIFICATION	
	50x50	160x160	
	75x50	200x110	
	75x75		
	110x50		
	110x75		
	110x110		
	125x110		
	160x110		

电熔立检口 Electrofusion Clean Out Branch		规格: SPECIFICATION	
	50		
	75		
	110		
	125		
	160		
	200		

电熔斜三通 Electrofusion 45° Branch Y Tee		规格: SPECIFICATION	
	50x50	160x160	
	75x50		
	75x75		
	110x50		
	110x75		
	110x110		
	125x125		
	160x110		

电熔45°弯头 Electrofusion 45° Elbow		规格: SPECIFICATION	
	50		
	75		
	90		
	110		
	125		
	160		
	200		

电熔90°弯头 Electrofusion 90° Elbow		规格: SPECIFICATION	
	50		
	75		
	90		
	110		
	160		
	200		

电熔45°弯头带口 Electrofusion 45° Elbow With Clean Out		规格: SPECIFICATION	
			

电熔90°弯头带口 Electrofusion 90° Elbow With Clean Out		规格: SPECIFICATION	
			

电熔偏心异径 Electrofusion Eccentric Reducer		规格: SPECIFICATION	
	75x50		
	110x50		
	110x75		
	160x75		
	160x110		

偏心异径
Eccentric Reducer

规格: SPECIFICATION




- 75x50
- 90x50
- 90x75
- 110x50
- 110x75
- 110x90
- 125x75
- 125x90
- 125x110
- 160x75
- 160x90
- 160x110
- 160x125
- 200x90
- 200x110
- 200x125
- 200x160
- 250x110
- 250x125
- 250x160
- 250x200
- 315x160
- 315x200
- 315x250

斜三通
45° Branch Y Tee

规格: SPECIFICATION




- 50x50x50
- 75x50x75
- 75x75x75
- 90x50x90
- 90x75x90
- 90x90x90
- 110x50x110
- 110x75x110
- 110x90x110
- 110x110x110
- 125x75x125
- 125x90x125
- 125x110x125
- 125x125x125
- 160x75x160
- 160x90x160
- 160x110x160
- 160x125x160
- 160x160x160
- 200x75x200
- 200x90x200
- 200x110x200
- 200x125x200
- 200x160x200
- 200x200x200
- 250x90x250
- 250x110x250
- 250x125x250
- 250x160x250
- 250x200x250
- 250x250x250
- 315x110x315
- 315x125x315
- 315x160x315
- 315x200x315
- 315x250x315
- 315x315x315


立检口 88.5° Clean Out Branch		规格: SPECIFICATION	
	50	200	
	75		
	90		
	110		
	125		
	160		

伸缩节 Expansion Socket		规格: SPECIFICATION	
	50	200	
	75	250	
	90		
	110		
	125		
	160		


不锈钢盲板式立检口 Clean Out With Steel		规格: SPECIFICATION	
	75	250	
	90		
	110		
	125		
	160		
	200		

清扫口 Cleaning Hole		规格: SPECIFICATION	
	50	200	
	75		
	90		
	110		
	125		
	160		

不锈钢盲板式清扫口 Cleaning Hole With Steel		规格: SPECIFICATION	
	90		
	110		
	125		
	160		
	200		

堵头 End Cap		规格: SPECIFICATION	
	50		
	75		
	110		
	160		

透气帽 Ventilation Cap		规格: SPECIFICATION	
	50		
	75		
	110		
	160		

斜四通 Y Type Cross		规格: SPECIFICATION	
	110		


止动短管 Flange Bushing		规格: SPECIFICATION	
			

球形四通 Ball Branch		规格: SPECIFICATION	
	110		

横排地漏 Horizontal Floor Drain		规格: SPECIFICATION	
 大 (Big) 小 (Small)	50普通	50机用	

直排地漏 Vertical Floor Drain		规格: SPECIFICATION	
	50普通	75机用	
	50机用	110机用	

P型存水弯 P-Traps		规格: SPECIFICATION	
	50		
	75		
	110		

P型带口存水弯 P-Traps With Clean Out		规格: SPECIFICATION	
	50		
	75		
	110		

S型存水弯 S-Traps		规格: SPECIFICATION	
	50		
	75		
	110		

S型带口存水弯 S-Traps With Clean Out		规格: SPECIFICATION	
	50		
	75		
	110		

旋流器 Aqthm Fitting		规格: SPECIFICATION	
	110		

苏维托 Solvent		规格: SPECIFICATION	
	110		

H管 H-Type Tube		规格: SPECIFICATION	
	110		

瓶口三通 Drainage Tee		规格: SPECIFICATION	
	110x50		
	110x75		

锚固管卡专用电容带(厚) Anchored Electrofusion Belt		规格: SPECIFICATION	
	4x4	3x3	
	200	50	
	250	56	
	315	63	
		75	
		90	
		110	
		125	
		160	
		200	
		250	

U型存水弯 U-Trap		规格: SPECIFICATION	
			

承插节 Expansion Socket		规格: SPECIFICATION	
			

斗 Hopper		规格: SPECIFICATION	
			

法兰片
Flange Parts

规格: SPECIFICATION



50	900
63	1000
75	1200
90	
110	
125	
140	
160	
180	
200	
225	
250	
280	
315	
355	
400	
450	
500	
560	
630	
710	
800	

抢修节
HDPE Pipe Repair Clamp

规格: SPECIFICATION



20	280
25	315
32	400
40	
50	
63	
75	
90	
110	
125	
140	
160	
180	
200	
225	
250	

承插截止阀
Socket Fusion Stop Valve

规格: SPECIFICATION



20	110
25	160
32	
40	
50	
63	
75	
90	

球阀
Ball Valve

规格: SPECIFICATION



20	110
25	160
32	
40	
50	
63	
75	
90	

对接截止阀
Butt Fusion Stop Valve

规格: SPECIFICATION



75	
90	
110	
125	
160	

对接焊机
Butt fusion Welding Machine

规格: SPECIFICATION



电熔焊机
Electrofusion Welding Machine

规格: SPECIFICATION

